

Current part is item (17) on diagram. Available at www.oshkosequipment.com

(1) SMR Code	(2) Federal Stock Number	(3) Description	(4) Unit of Meas.	(5) Qty In Unit	(6) 15-day Maintenance allow	(7) Organizational Illustration	(a) Figure No.	(b) Item No.		
Reference number & mfg. code			Usable on code		(a) 1-5	(b) 6-20	(c) 21-50	(d) 51-100		
1801-BODY,CAB,HOOD AND HULL ASSEMBLIES-CONTINUED										
PAOZZ	5340-737-3284	HINGE,BUTT: LEFT CAB DOOR (USE WITH DOOR 2510-737-3293) 7373284 (19207)	A	EA	2	*	*	*	150	8
PAOZZ	5340-737-3285	HINGE,BUTT: RIGHT CAB DOOR(USE WITH DOOR 2510-737-3294) 7373285 (19207)	A	EA	2	*	*	*	150	8
PAOZZ	2510-737-3288	CHECK ASSEMBLY, DOOR: 7373288 (19207)	A	EA	2	*	*	*	150	9
PAOZZ	5315-187-9558	PIN,COTTER: DOOR CHECK ROD MS24665-431 (96906)	A	EA	2	*	*	*	150	10
PAOZZ	2510-650-1015	FRAME: WINDOW RIGHT (USE WITH DOOR 2510-737-3294) 7529305 (19207)	A	EA	2	*	*	*	150	11
PAOZZ	2510-674-4487	FRAME:WINDOW LEFT (USE WITH DOOR 2510-737-3293) 7529304 (19207)	A	EA	2	*	*	*	150	11
PAOZZ	5305-984-7363	CREW,MACHINE: MS35191-272 (96906)	A	EA	4	*	*	*	150	12
PAOZZ	5310-582-8716	WASHER,LOCK: MS35336-20 (96906)	A	EA	4	*	*	*	150	13
PAOZZ	2540-741-0715	HANDLE,DOOR: 14892 (75198)	A	EA	2	*	*	*	150	14
PAOZZ	5305-531-0339	SCREW,ASSEMBLED WASHER: DOOR LOCK 594270 (21450)	A	EA	20	*	*	*	150	15
PAOZZ	2540-693-0603	REGULATOR, VEHICLE WINDOW: RIGHT (USE WITH DOOR 2510-737-3294) 7373290 (19207)	A	EA	1	*	*	*	150	16
PAOZZ	2540-693-0602	REGULATOR,WINDOW: LEFT (USE WITH DOOR 2510-737-3293) 7373289 (19207)	A	EA	1	*	*	*	150	16
PAOZZ	2510-797-5609	HANDLE, LOCK: 7975609 (19207)	A	EA	2	*	*	*	150	17
PAOZZ	5305-696-5300	SCREW,ASSEMBLED WASHER: 455184 (21450)	A	EA	2	*	*	*	150	18
PAOZZ	2540-737-3277	LOCK,REMOTE CONTROL: RIGHT ASSEMBLY (USE WITH DOOR 2510-737-3294) 955334 (58275)	A	EA	1	*	*	*	150	19
PAOZZ	2540-737-3276	LOCK,REMOTE CONTROL: LEFT ASSEMBLY (USE WITH DOOR 2510-737-3293) 955335 (58275)	A	EA	1	*	*	*	150	19

TA 009292

Current part is item (17) on diagram. Available at www.oshkoshequip.com

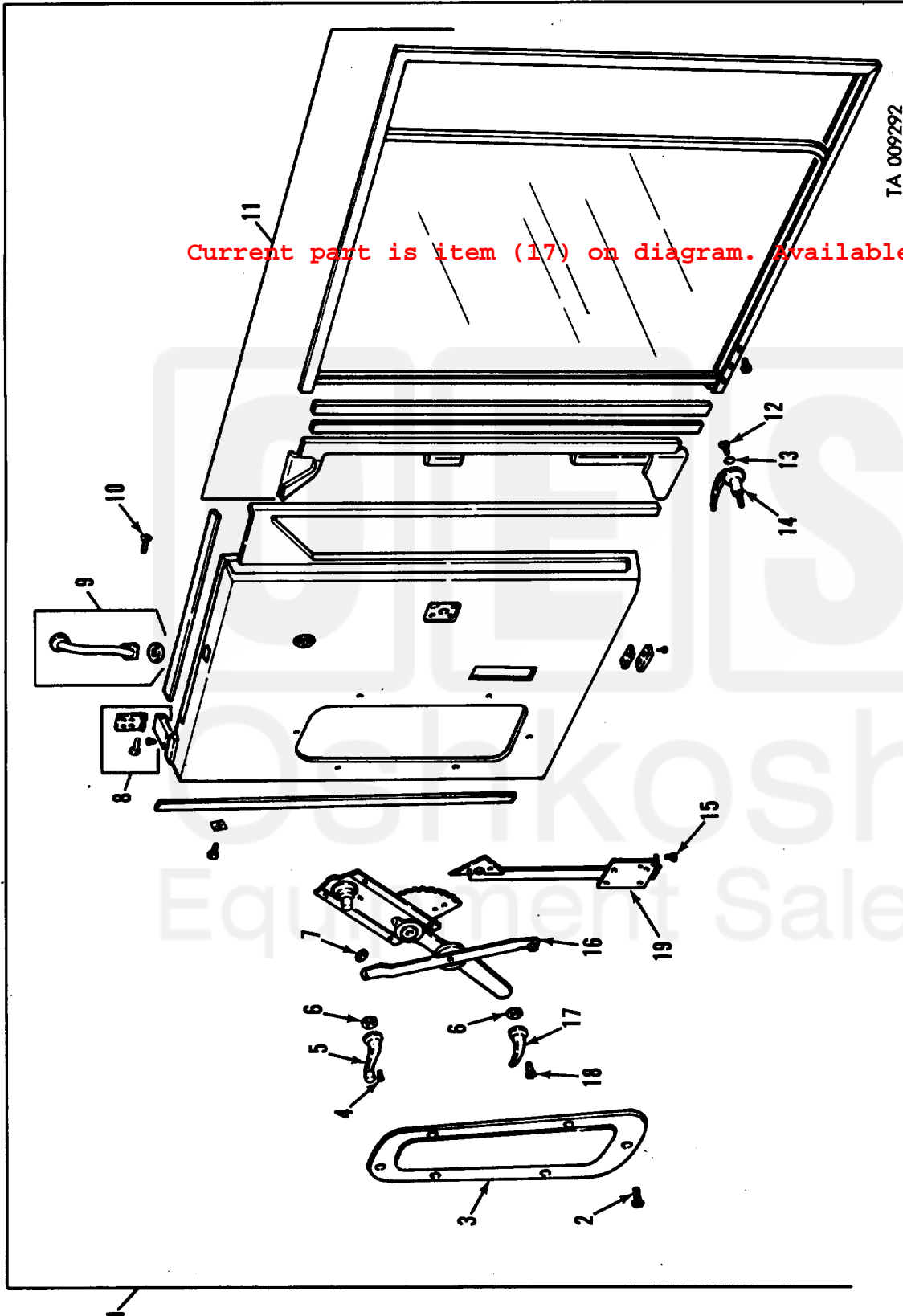


Figure 150. Cab door and related parts.

Current part is item (17) on diagram. Available at www.oshkoshequip.com